

*Lyco Marinator.com*

Lyco Sales Ltd. *Serving the Food Industry Since 1984*

# Parts Manual

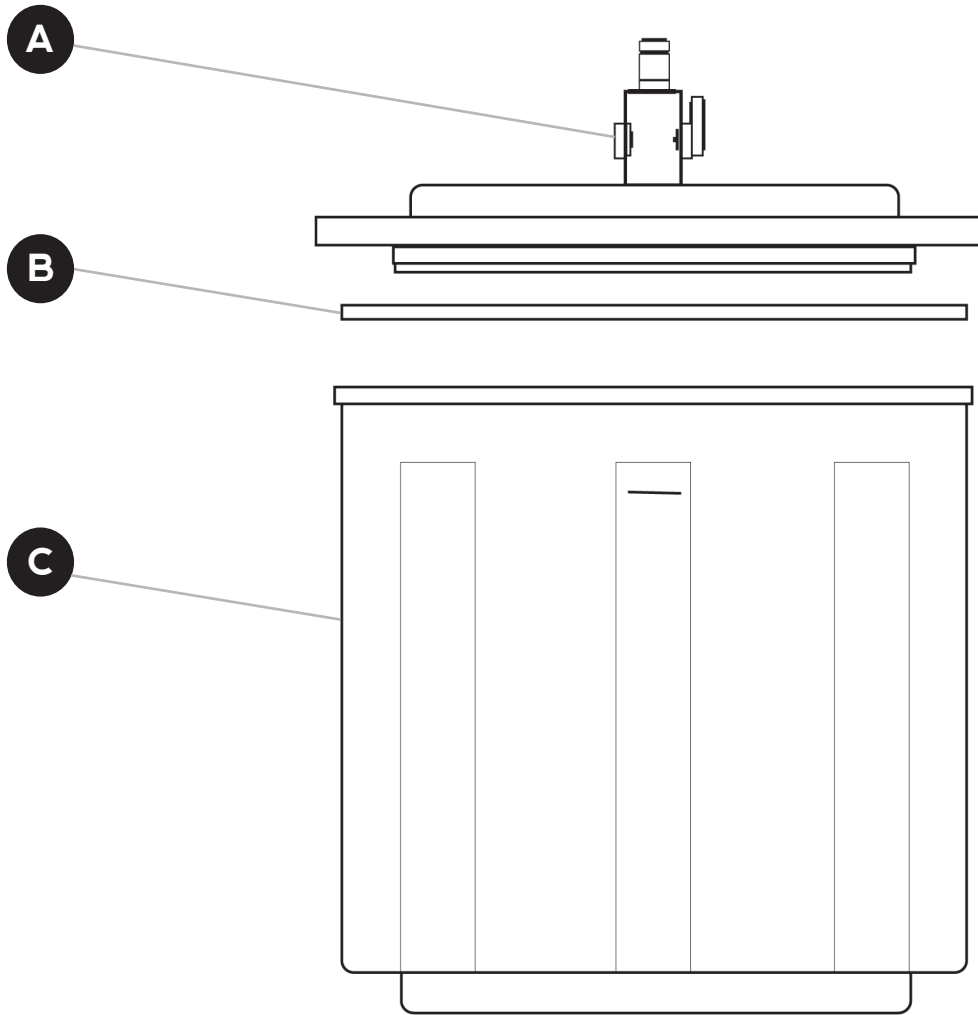
**LT40**  
**LT40-II**

**Revised May 4, 2016**

Lyco Sales LTD.

Phone: 608-752-7626 Email: [marinator@trilyco.com](mailto:marinator@trilyco.com)

# Lyco LT40 & LT40-II Polyethylene Drum

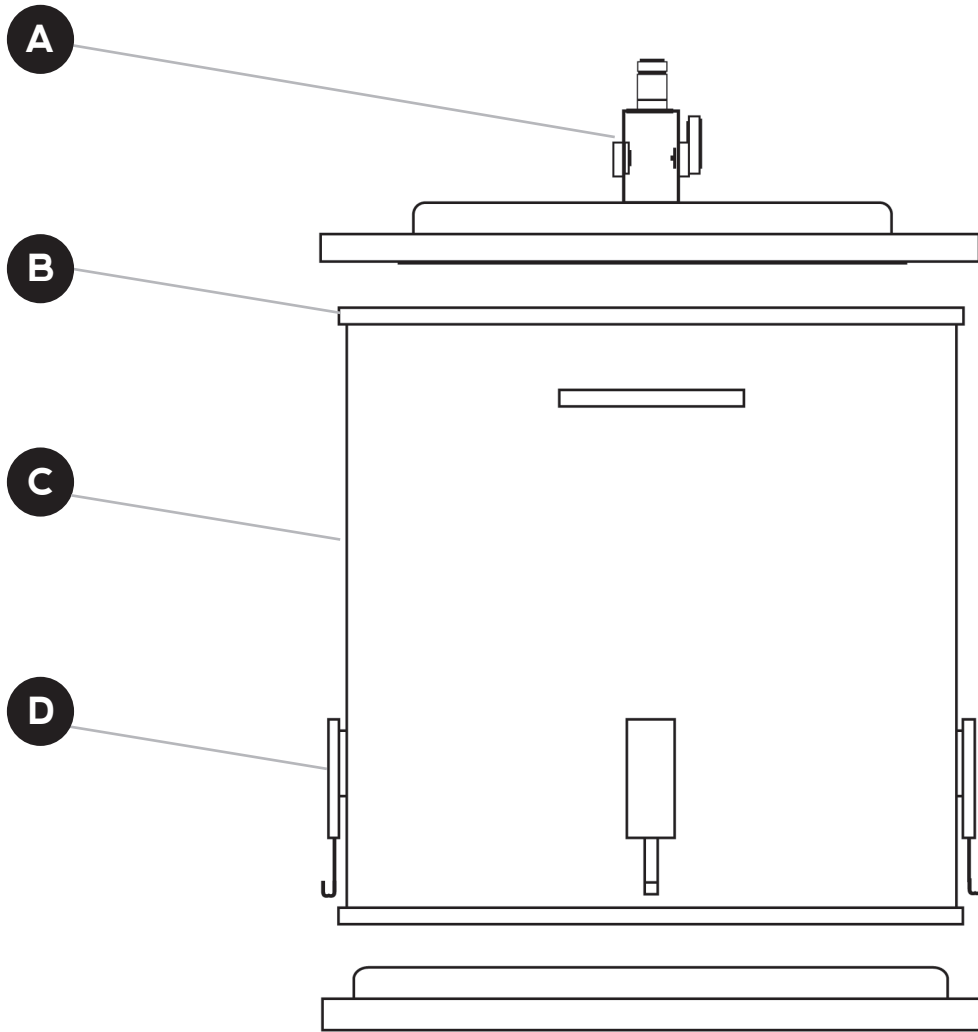


Part	Part Description	Part #	Price
A	Shut Off Valve	PS 405	\$ 25.00
B	Polyethylen Drum	P400	\$ 390.00
C	Polyethylene Drum Gasket	P40	\$ 21.00

Lyco Sales LTD.

Phone: 608-752-7626 Email: [marinator@trilyco.com](mailto:marinator@trilyco.com)

## Lyco LT40 & LT40-II Stainless Steel Drum

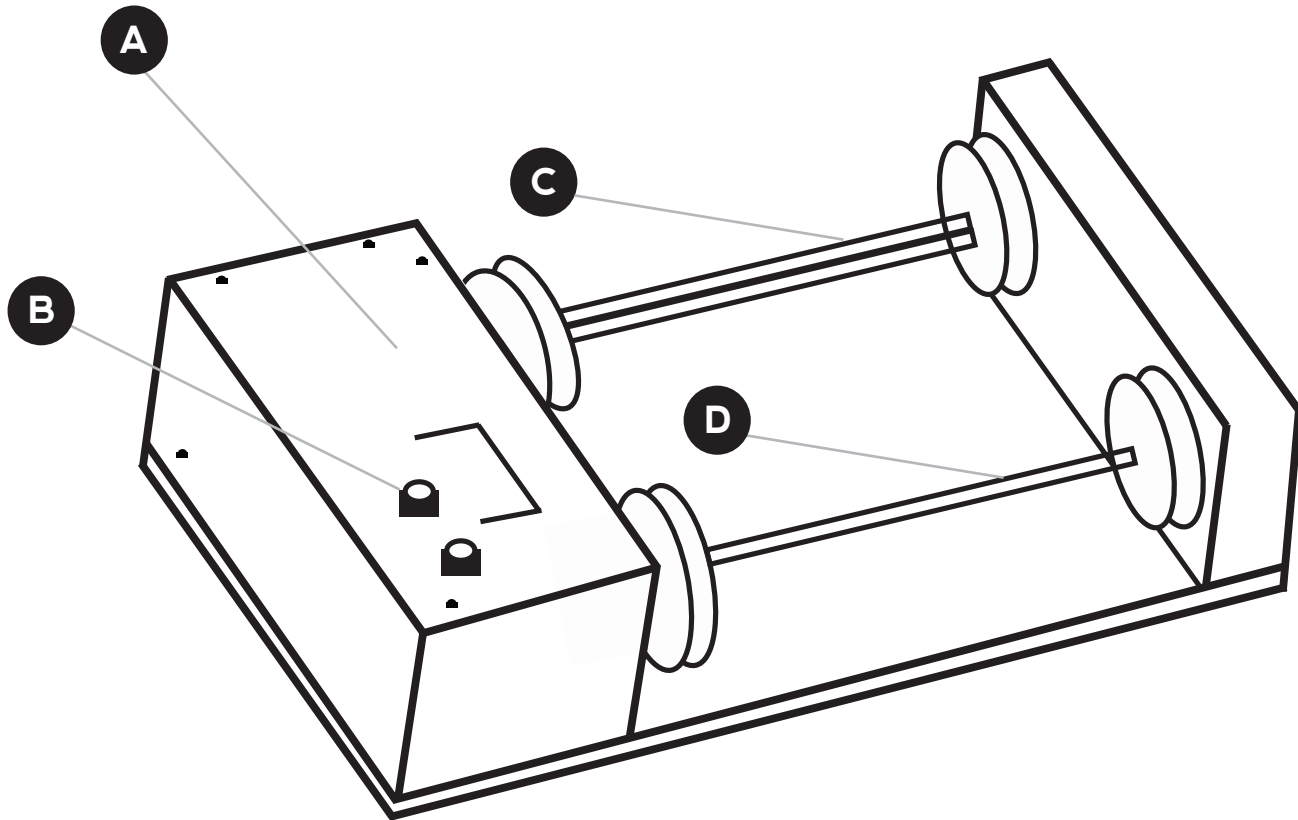


Part	Part Description	Part #	Price
A	Shut Off Valve w/ Coupling Nipple	PS 405	\$ 25.00
B	Stainless Steel Drum Gaskets (2)	S40	\$ 23.00 each
C	Stainless Steel Drum	S400	\$ 975.00
D	Stainless Steel Drum Latch	S403 A-C	\$ 31.00 each

Lyco Sales LTD.

Phone: 608-752-7626 Email: [marinator@trilyco.com](mailto:marinator@trilyco.com)

## Lyco LT40 Variable Speed Motor Assembly

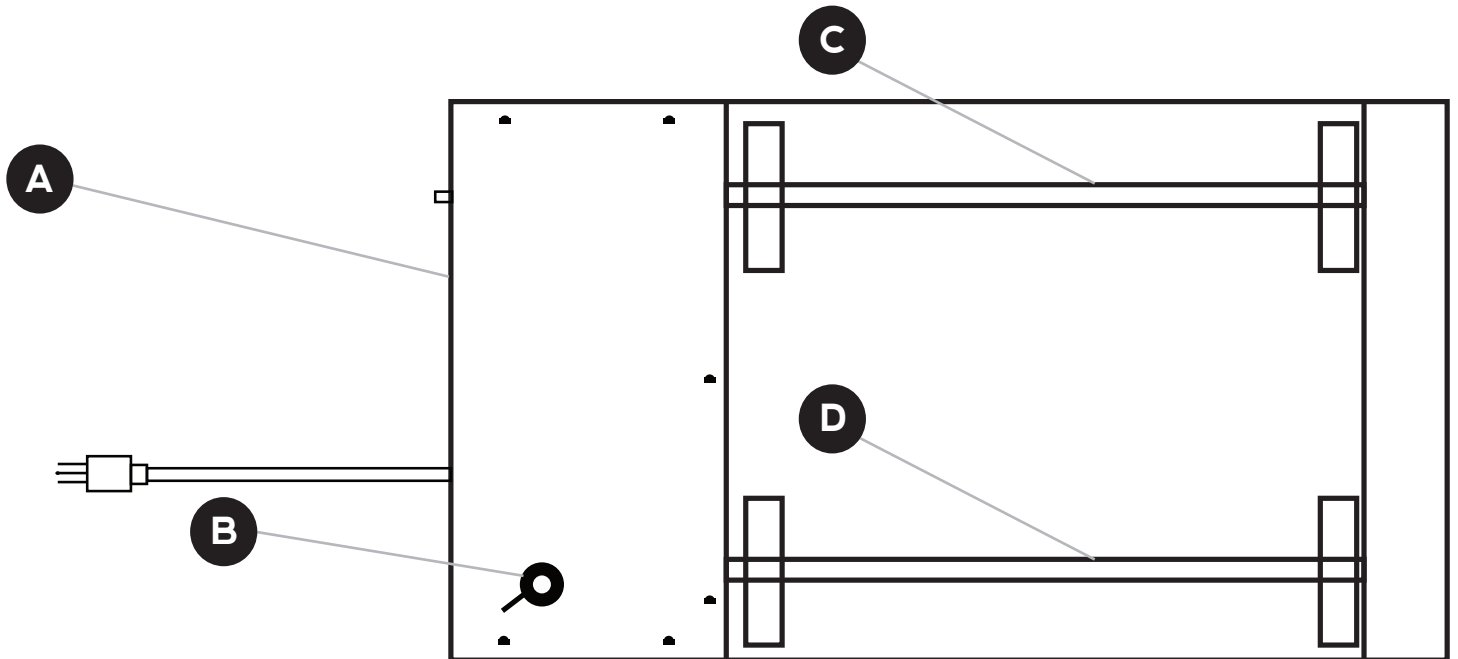


Part	Part Description	Part #	Price
A	Variable Speed Drive Motor	VS 402A	\$ 545.00
B	Timer Switch Assembly with Knob	B 404	\$ 98.00
C	Drive Shaft Assembly with Rollers	B 409	\$ 130.00
D	Driven Shaft Assembly with Rollers	B 410	\$ 160.00
	Roller Chain Assembly (Hidden)	B 411	\$ 42.00
	DC Control Board (Hidden)	VS 401	\$ 169.00

Lyco Sales LTD.

Phone: 608-752-7626 Email: marinator@trilyco.com

# Lyco LT40 Single Speed Motor Assembly



Part	Part Description	Part #	Price
A	Single Speed Drive Motor	B 403	\$ 530.00
B	Timer Switch Assembly with Knob	B 404	\$ 98.00
C	Drive Shaft Assembly with Rollers	B 409	\$ 130.00
D	Driven Shaft Assembly with Rollers	B 410	\$ 160.00
	Roller Chain Assembly (Hidden)	B 411	\$ 42.00

Lyco Sales LTD.

Phone: 608-752-7626 Email: marinator@trilyco.com